

Omron Sentech GigE Vision CMOS sensor series

Omron Sentech's brand new updated GigE Vision CMOS series, with new sensors, resolutions, and more.

Features

- More compact body with updated form factor.
- Updated Pin Outs
- PTP Functionality
- Updated Software Features



Product Line-Up

Model	Monochrome/Color	Resolution	Frame Rate	Effective Pixels (H*V)	Sensor Size	Cell Size (μm)	Sensor	Lens Mount	General Specifications
STC-MBS43POE	Monochrome	0.4M	265fps	728 x 544	1/2.9	6.9 x 6.9	IMX287	C	
STC-MCS43POE	Color								
STC-MBS163POE	Monochrome	1.6M	69fps	1456 x 1088	1/2.9	3.45 x 3.45	IMX273	C	
STC-MCS163POE	Color								
STC-MBS202POE	Monochrome	2M	54.6fps	1624 x 1440	1/1.7	4.5 x 4.5	IMX430	C	
STC-MCS202POE	Color								
STC-MBS312POE	Monochrome	3.2M	33.4fps	2048 x 1536	1/1.8	3.45 x 3.45	IMX265	C	
STC-MCS312POE	Color								
STC-MBS500POE	Monochrome	5M	21fps	2448 x 2048	2/3	3.45 x 3.45	IMX264	C	
STC-MCS500POE	Color								
STC-MBS1242POE	Monochrome	12M	8.7fps	4000 x 3000	1/1.7	1.85 x 1.85	IMX226	C	Rolling Shutter
STC-MCS1242POE	Color								
STC-MBS2041POE	Monochrome	20M	5.6fps	5472 x 3648	1	2.4 x 2.4	IMX183	C	Rolling Shutter
STC-MCS2041POE	Color								

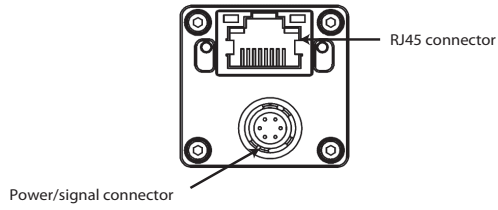
Tripod		
Model	Applicable Model	General Specifications
TP-KWA	GigE Vision M series	
TP-KWA-IEA	GigE Vision M series	Used to set M series with sensor center at same height as that of S series

Note: Ask your Omron representative about AC adapter.

Omron Sentech GigE Vision

External Connector Specification

External Link Connector	Ethernet: RJ45, power supply and I/O: HR10A-7R-6PB (Hirose) or equivalent
-------------------------	---



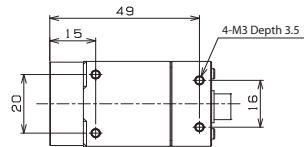
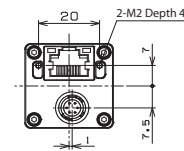
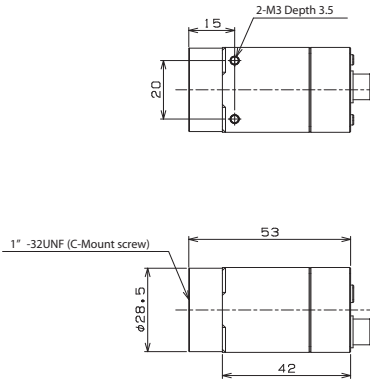
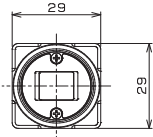
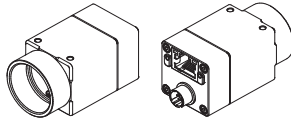
Pin Assignment

Pin No.	Signal name	I/O	Signal voltage
1	POWER IN	IN	10.8 to 26.4 Vdc
2	Isolated input (Line0)	IN	Low: 1.0 V or less High: 3.0 to 26.4 V * Potential difference between isolated input and isolated I/O common
3	Non-isolated I/O (Line2)	IN / OUT	3.0 to 26.4 V/Open Collector
4	Isolated output (Line1)	OUT	Open Collector
5	Isolated I/O common	IN	
6	GND	IN	0 V



Drawing dimension

Monochrome



Color

